

HB80-6G

Generic radio control, rolling code, 433.92 MHz,
6 channels with settable function.

NEXTA
T E C H



INDEX

1 - PRODUCT FEATURES

1.1 - TECHNICAL DATA

2 - USE OF TRANSMITTER

2.1 - DESCRIPTION OF TRANSMITTER

2.2 - USE OF TRANSMITTER

2.3 - COMMANDS SENT FROM TRANSMITTER

3 - TRANSMITTER PROGRAMMING

3.1 - TRANSMITTER PROGRAMMING

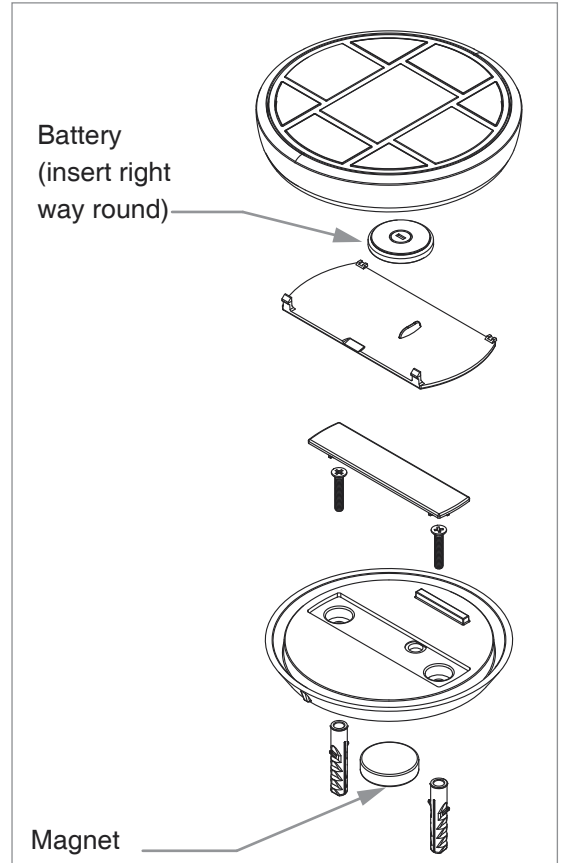
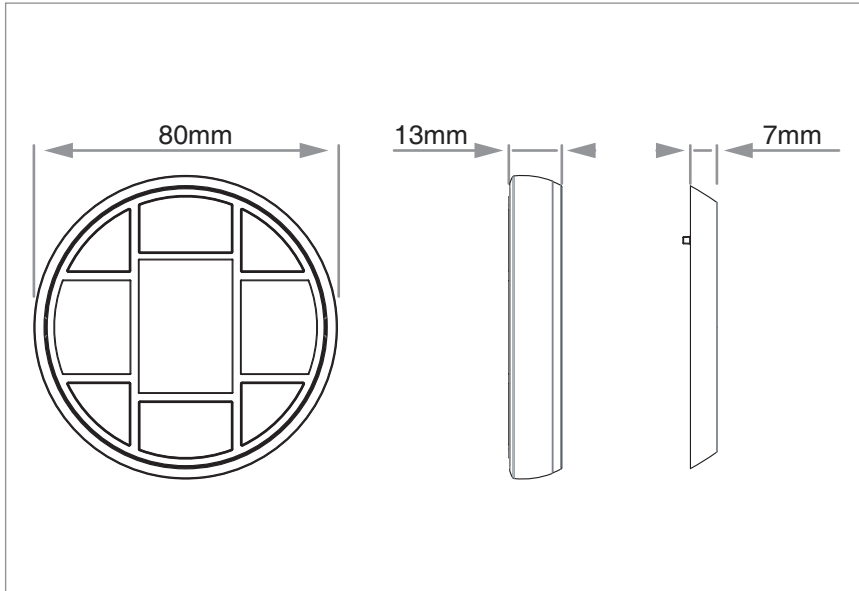
4 - DELETION OF A CHANNEL

4.1 - DELETION OF THE CHANNEL FROM THE RECEIVER

1 - PRODUCT FEATURES

1.1 TECHNICAL DATA

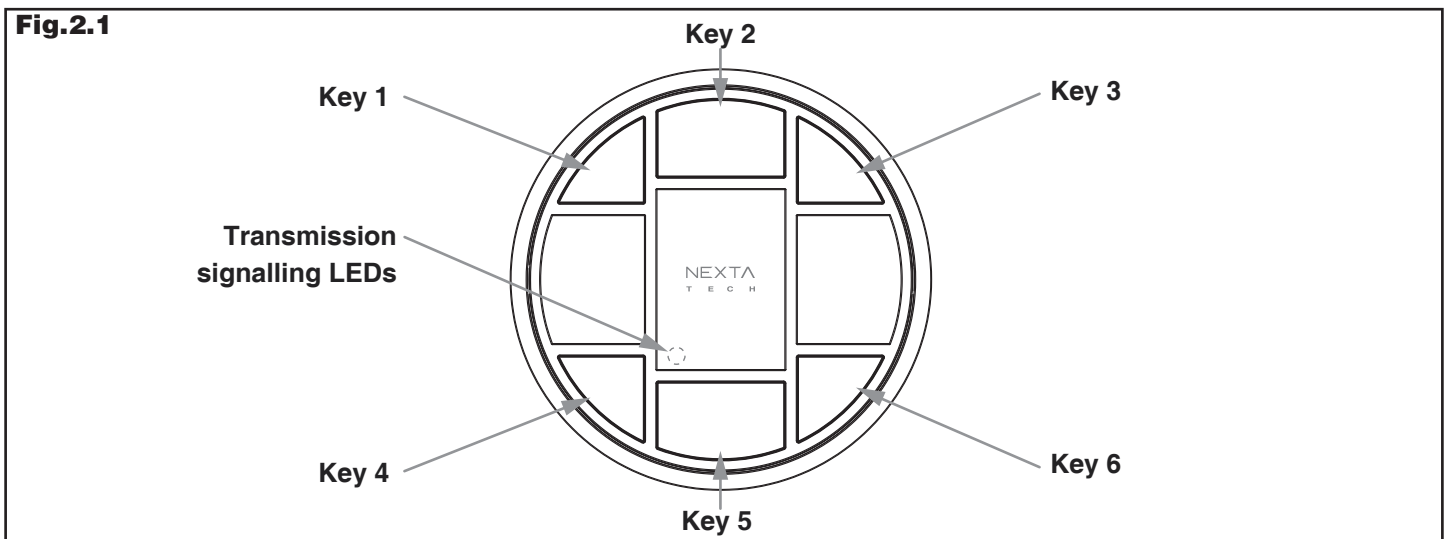
Power supply	Type CR2450 lithium battery
Programmable channels	6
Groups	None
Radio frequency	433,92 MHz ISM
Code	Rolling code
Dimensions	Diameter 80 x 13



2 - USE OF TRANSMITTER

2.1 DESCRIPTION OF TRANSMITTER

Generic type of multichannel radio control with settable functions on each key. Aluminium alloy structure and shock-absorbent polycarbonate plastic parts. Magnetic wall support.



2.2 USE OF TRANSMITTER

To be able to use the transmitter you must first carry out the learning procedures on the receiver (see paragraph 3).

SEND A COMMAND TO A DEVICE:

- 1- Press the key associated with the device that you want to control.
 - 2- The transmitter goes into stand-by.
-

2.3 COMMANDS SENT FROM TRANSMITTER

In generic types of transmitters the commands associated with each key can be chosen during the programming phase with a setting on the receiver.

The commands available vary depending on the type of receiver on which the transmitter is to be programmed.

3 - TRANSMITTER PROGRAMMING

To use the transmitter at least one channel must be programmed (paragraph 3.1).

3.1 TRANSMITTER PROGRAMMING

Default: no channel programmed. This procedure is used to programme a channel in order to then associate it with a compatible receiver. Access to the receiver is required to carry out the following procedure.

PROCEDURE:

- 1- Activate the receiver on which you want to use the transmitter in "radio programming of generic transmitters" mode and select the function that you want to associate with the key (see receiver manual).
 - 2- Press the desired key; the receiver's LED flashes three times to signal it has been received.
 - 3- The transmitter goes back into stand-by.
-

4 - DELETION OF A CHANNEL

4.1 DELETION OF THE CHANNEL FROM THE RECEIVER

This procedure is to delete one of the transmitter's channels from the memory of the receiver on which it was programmed.

PROCEDURE:

- 1- Access the receiver and carry out the "delete single transmitter" procedure (see receiver manual).



MNLHB80-6GENV1.0

Nexta Tech

company brand of Team srl
via G.Oberdan 90, 33074
Fontanafredda (PN) - Italy
Ph. +39 0434 998682
Email: info@nexta-tech.com
Web: www.nexta-tech.com